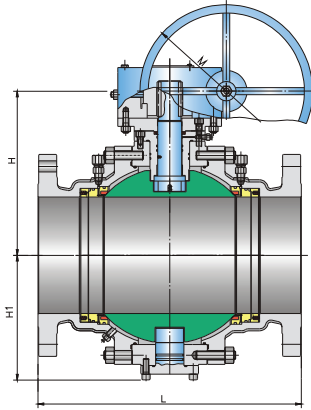


结构形式及尺寸表 Construction and Dimension



Class 150Lb									
Size (in)	L			H≈	H1≈	M≈	W≈(kg)		
	RF	RTJ	BW				I	II	
16	762	775	838	498	398	450	739	723	
18 × 16 ⊕	864	876	914	498	398	450	812	773	
20 × 16 ⊕	914	927	991	498	398	450	906	863	
18	864	876	914	640	437	500	930	879	
20 × 18 ⊕	914	927	991	640	437	500	1029	980	
20	914	1080	991	700	467	550	1617	1540	
24 × 20 ⊕	1067	-	1143	700	467	550	1900	1810	
22	991*	1080	1092*	735	499	550	2518	2398	
24 × 22 ⊕	1067	1080	1143	735	499	550	2591	2468	
24	1067	-	1143	820	551	550	2787	2654	
30 × 24 ⊕	1295	-	1397	820	551	550	3049	2904	
26	1143	-	1245	892	624	550	3276	3120	
28 × 26 ⊕	1245	-	1346	892	624	550	3557	3388	
28	1245	-	1346	901	632	550	3183	3032	
30 × 28 ⊕	1295	-	1397	901	632	550	3518	3350	
30	1295	-	1397	962	715	762	3675	3350	
32 × 30 ⊕	1372	-	1524	962	715	762	-	-	
36 × 30 ⊕	1524	-	1727	962	715	762	3885	3700	
32	1372	-	1524	1045	755	812	4725	4500	
34	1473	-	1626	1095	785	812	6073	5784	
36	1524	-	1727	1117	836	914	7237	6892	
40	1753*	-	1753*	1285	900	914	9347	8902	
42	1855*	-	2015*	1330	935	914	10355	9862	
48	2083*	-	2225*	1434	1050	914	16210	15438	
56	2250*	-	2489*	1476	1306	1016	25822	24592	

Class 300Lb									
Size (in)	L			H≈	H1≈	M≈	W≈(kg)		
	RF	RTJ	BW				I	II	
16	838	854	838	538	398	500	1330	1267	
18 × 16 ⊕	914	930	914	538	398	500	1414	1347	
20 × 16 ⊕	991	1010	991	538	398	500	1538	1465	
18	914	930	914	625	437	500	1602	1526	
20 × 18 ⊕	991	1010	991	625	437	500	1739	1656	
20	991	1010	991	712	477	500	1966	1872	
24 × 20 ⊕	1143	1165	1143	712	477	500	2365	2252	
22	1092	1114	1092*	799	495	550	2517	2397	
24 × 22 ⊕	1143	1165	1143	799	495	550	3215	2507	
24	1143	1165	1143	826	585	550	3158	3008	
30 × 24 ⊕	1397	1422	1397	826	585	550	3945	3758	
26	1245	1270	1245	862	630	550	3620	3416	
28 × 26 ⊕	1346	1372	1346	862	630	550	3776	3596	
28	1346	1372	1346	893	683	550	4061	3868	
30 × 28 ⊕	1397	1422	1397	893	683	550	4261	4058	
30	1397	1422	1397	968	715	762	5223	4974	
32 × 30 ⊕	1524	1553	1524	968	715	762	-	-	
36 × 30 ⊕	1727	1756	1727	968	715	762	6281	5982	
32	1524	1553	1524	1008	785	812	5958	5674	
34	1626	1654	1626	1073	836	914	6913	6584	
36	1727	1756	1727	1100	875	914	7944	7566	
40	1850*	-	1753*	1245	923	914	10117	9635	
42	1900*	-	2015*	1345	958	914	11425	10881	
48	2170*	-	2225*	1490	1108	914	18467	17558	
56	2300*	-	2489*	-	-	-	-	-	

⊕规则孔 Regular bore; ⊙缩孔 Reduce bore ※L由方厂与用户协商确定 L will be confirmed by this consumer and factory.
■W 指RF法兰面球阀重量 The W in the table means weight of therefore end ball valve.

Size (in)	L			H≈	H1≈	M≈	W≈(kg)	
	RF	RTJ	BW				II	I
16	991	994	991	643	416	500	1475	1549
18 × 16 ⊕	1092	1095	1092	643	416	500	1615	1695
20 × 16 ⊕	1194	1200	1194	643	416	500	1692	1778
18	1092	1095	1092	723	455	500	1741	1828
20 × 18 ⊕	1194	1200	1194	723	455	500	1843	1935
20	1194	1200	1194	823	522	550	2210	2320
24 × 20 ⊕	1397	1407	1397	823	522	550	3081	3235
22	1295	1305	1295	845	592	812	3714	3899
24 × 22 ⊕	1397	1407	1397	845	592	812	3864	4057
24	1397	1407	1397	866	615	812	3490	3665
30 × 24 ⊕	1651	1664	1651	866	615	812	4496	4270
26	1448	1461	1448	924	630	812	4525	4751
28 × 26 ⊕	1549	1562	1549	924	630	812	-	-
28	1549	1562	1549	956	700	812	5148	5405
30 × 28 ⊕	1651	1664	1651	956	700	812	-	-
30	1651	1664	1651	1038	726	914	5768	6056
32 × 30 ⊕	1778	1794	1778	1038	726	914	-	-
36 × 30 ⊕	2083	2099	2083	1038	726	914	7062	7415
32	1778	1794	1778	1218	788	914	6908	7253
34	1930	1946	1930	1230	815	914	7408	7778
36	2083	2099	2083	1269	875	914	8745	9182
40	2080*	-	2170*	1342	945	914	11985	12584
42	2175*	-	-	1520	989	1016	14100	14805
48	2435*	-	-	1655	1120	1016	21618	22699
56	2710*	-	-	-	-	-	-	-

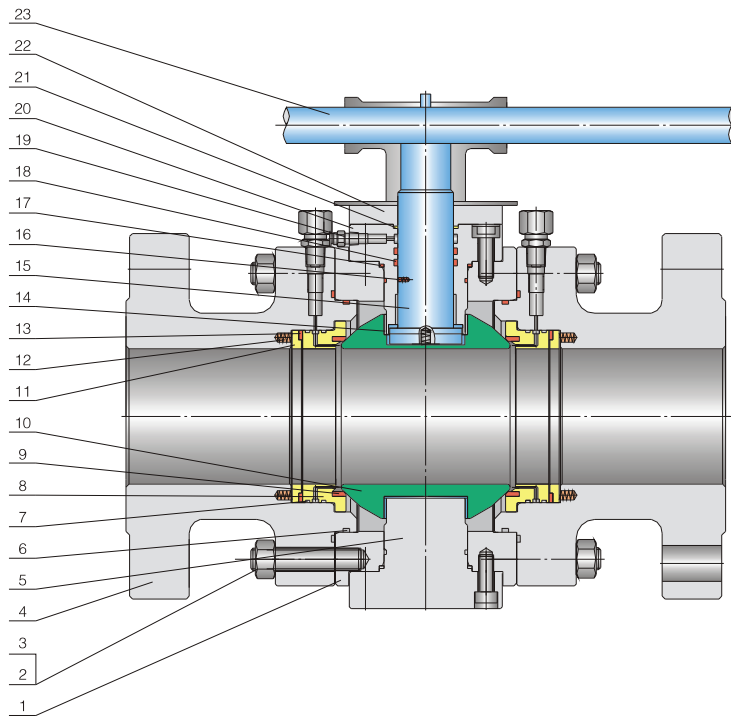
Size (in)	L			H≈	H1≈	M≈	W≈(kg)	
	RF	RTJ	BW				II	I
16	1130	1140	1130	727	406	550	1903	1998
18 × 16 ⊕	1219	1232	1219	727	406	550	2050	2155
20 × 16 ⊕	1321	1334	1321	727	406	550	2374	2495
18	1219	1232	1219	785	418	550	2300	2415
20 × 18 ⊕	1321	1334	1321	785	418	550	2600	2730
20	1321	1334	1321	839	561	550	2985	3135
24 × 20 ⊕	1549	1568	1549	839	561	550	3708	3895
24	1549	1568	1549	853	634	812	5040	5295
30 × 24 ⊕	1880*	1902*	1880*	853	634	812	6850	7200
26	1651*	1674*	1651*	909	725	914	6060	6365
28 × 26 ⊕	1753*	1775*	1753*	909	725	914	-	-
28	1753*	1775*	1753*	980	765	914	7270	7635
30 × 28 ⊕	1880*	1902*	1880*	980	765	914	-	-
30	1880*	1902*	1880*	1095	810	914	8425	8846
32 × 30 ⊕	2032*	2054*	2032*	1095	810	914	-	-
36 × 30 ⊕	2286*	2315*	2286*	1095	810	914	10265	10778
32	2032*	2054*	2032*	1270	840	914	9589	10068
34	2159*	2188*	2159*	1310	860	914	13545	14250
36	2286*	2315*	2286*	1445	893	914	14640	15372

Class 1500Lb									
Size (in)	L			H≈	H1≈	M≈	W≈(kg)		
	RF	RTJ	BW				II	I	
16	1384	1407	1384	650	500	550	3540	3718	
18 × 16 ⊕	1537*	1559*	1537*	650	500	550	4496	4720	
20 × 16 ⊕	1664*	1686*	1664*	650	500	550	4781	5020	
18	1537*	1559*	1537*	783	585	812	4824	5065	
20 × 18 ⊕	1664*	1686*	1664*	783	585	812	6088	6392	
20	1664*	1686*	1664*	880	635	914	7250	7612	
24 × 20 ⊕	2043*	2071*	2043*	880	635	914	8321	8737	
24	2043*	2071*	2043*	1285	720	914	10845	11387	

Class 3000Lb									
Size (in)	L			H≈	H1≈	M≈	W≈(kg)		
	RF	RTJ	BW				II	I	
6	914	927	914	385	250	450	745		
8 × 6 ⊕	1022	1038	1022	385	250	450	935		
10 × 6 ⊕	1270	1292	1270	385	250	450	1080		
8	1022	1038	1022	502	340	500	1202		
10 × 8 ⊕	1270	1292	1270	502	340	500	1450		
12 × 8 ⊕	1422	1445	1422	502	340	500	1869		
10	1270	1292	1270	600	411	500	2080		
12 × 10 ⊕	1422	1445	1422	600	411	500	2287		
12	1422	1445	1422	715	498	550	3080		

⊕规则孔 Regular bore; ⊙缩孔 Reduce bore ※L由方厂与用户协商确定 L will be confirmed by this consumer and factory.
■W 指RF法兰面球阀重量 The W in the table means weight of therefore end ball valve.

主要结构图形 Major Features



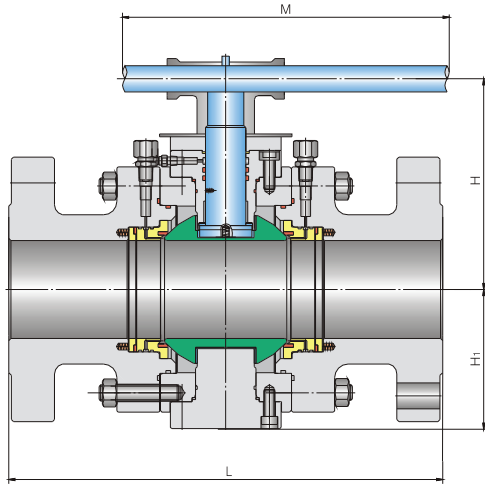
主要参数 Main Parameter Specification

设计和制造 Design and Manufacture: API 6D、ASME B16.34(BS5351)、API 608、MSS-SP-72
 结构长度尺寸 End to End Dimension: API 6D、ASME B16.10
 法兰连接尺寸 Flange Connection Dimension: ASME B16.5
 对焊端尺寸 BW Connection Dimension: ASME B16.25
 检查和试验 Test and Inspection: API 6D、API 598
 防火设计 Fire-safe Design: API 607/6Fa
 防静电设计和防爆阀杆 Anti-static Design & Anti Blow-out Stem

主要材料 Main Material

序号 No.	名称 Part Name	材料 Material
1	阀体 Body	A105, A350-LF2, A182-F304, F304L, F316, F316L, F51, F53
2	螺柱 Stud	ASTM A193 B7, B7M, B8
3	螺母 Nut	ASTM A194 2H, 2HM, 8
4	连接体 Adapter	A105, A350-LF2, A182-F304, F316, F304L, F316L, F51, F53
5	固定轴 Trunnion	1045+ENP, ASTM A182 F6, F304, F316, F51, F53
6	O型圈 O-ring	Viton, NBR
7	O型圈 O-ring	Viton, NBR
8	阀座圈 Seat ring	A105+ENP, A351 LF2, F6, F304, F316, F51, F53
9	阀座 Seat	PTFE, RPTFE, PPL, PEEK, NYLON
10	球体 Ball	A105+ENP, A351 LF2, F6, F304, F316, F51, F53
11	压环 Ring	A105, A351 LF2, F6, F304, F316, F51, F53
12	弹簧 Spring	SS304, 17-4PH, Incone
13	密封圈 Sealing Ring	SS304+Graphite
14	复合轴承 Bearing	1045+RPTFE, SS304+RPTFE, SS316+RPTFE
15	阀杆 Stem	1045+ENP, ASTM A182 F6, F304, F316, F51, F53
16	弹簧 Spring	SS304, 17-4PH, Incone
17	垫片 Gasket	Flexible Graphite, PTFE
18	O型圈 O-ring	Viton, NBR
19	注油阀 Oil Cup	1025, SS304
20	填料箱 Stuffing Box	A105, A350-LF2, A182-F304, F316, F304L, F316L, F51, F53
21	填料 Packing	Flexible Graphite, PTFE
22	压板 Gland	ASTM A105, ASTM A216 WCB, ASTM A351 CF8
23	手柄 Wrench	ASTM A216 WCB

结构形式及尺寸表 Construction and Dimension



Class 150Lb mm

Size (in)	L			H≈	H1≈	M≈	W≈ (kg)
	RF	RTJ	BW				
2	178	191	216	168	83	250	26
3 × 2 ⊙	203	216	283	168	83	250	30
2 1/2	191	203	241	180	102	300	42
3 × 2 1/2 ⊙	203	216	283	180	102	300	46
4 × 2 1/2 ⊙	229	241	305	180	102	300	52
3	203	216	283	202	117	350	50
4 × 3 ⊙	229	241	305	202	117	350	60
6 × 3 ⊙	394	406	457	202	117	350	80
4	229	241	305	228	141	450	88
6 × 4 ⊙	394	406	457	228	141	450	100
8 × 4 ⊙	457	470	521	228	141	450	128

⊙规则孔 Regular bore; ⊙缩孔 Reduce bore; ※齿轮箱操作
■W 指RF法兰面球阀重量 The W in the table means weight of therefore end ball valve.

Class 300Lb mm

Size (in)	L			H≈	H1≈	M≈	W≈ (kg)
	RF	RTJ	BW				
2	216	232	216	168	95	250	28
3 × 2 ⊙	283	298	283	168	95	250	35
2 1/2	241	257	241	202	107	300	52
3 × 2 1/2 ⊙	283	298	283	202	107	300	-
4 × 2 1/2 ⊙	305	321	305	202	107	300	-
3	283	298	283	222	122	350	54.5
4 × 3 ⊙	305	321	305	222	122	350	71
6 × 3 ⊙	403	419	403	222	122	350	-
4	305	321	305	238	148	450	98
6 × 4 ⊙	403	419	403	238	148	450	119
8 × 4 ⊙	502	518	521	238	148	450	-

⊙规则孔 Regular bore; ⊙缩孔 Reduce bore; ※齿轮箱操作
■W 指RF法兰面球阀重量 The W in the table means weight of therefore end ball valve.

结构形式及尺寸表 Construction and Dimension

Class 600Lb mm

Size (in)	L			H≈	H1≈	M≈	W≈ (kg)
	RF	RTJ	BW				
2	292	295	292	195	100	500	33
3 × 2 ⊙	356	359	356	195	100	500	42
2 1/2	330	333	330	210	115	600	39
3 × 2 1/2 ⊙	356	359	356	210	115	600	45
4 × 2 1/2 ⊙	432	435	432	210	115	600	69
3	356	359	356	247	126	700	68
4 × 3 ⊙	432	435	432	247	126	700	85
6 × 3 ⊙	559	562	559	247	126	700	128
4	432	435	432	275	154	900	118
6 × 4 ⊙	559	562	559	275	154	900	146
8 × 4 ⊙	660	664	660	275	154	900	178

⊙规则孔 Regular bore; ⊙缩孔 Reduce bore; ※齿轮箱操作
■W 指RF法兰面球阀重量 The W in the table means weight of therefore end ball valve.

Class 1500Lb mm

Size (in)	L			H≈	H1≈	M≈	W≈ (kg)
	RF	RTJ	BW				
2	368	381	368	237	122	800	50
3 × 2 ⊙	470	473	470	237	122	800	71
2 1/2	419	422	419	261	148	900	75
3 × 2 1/2 ⊙	470	473	470	261	148	900	90
4 × 2 1/2 ⊙	546	549	546	261	148	900	109
3	470	473	470	269	163	1000	117
4 × 3 ⊙	546	549	546	269	163	1000	124
6 × 3 ⊙	705	711	705	269	163	1000	221
4	546	549	546	297	173	1000	185
6 × 4 ⊙	705	711	705	297	173	1000	296
8 × 4 ⊙	832	841	832	297	173	1000	360

⊙规则孔 Regular bore; ⊙缩孔 Reduce bore; ※齿轮箱操作
■W 指RF法兰面球阀重量 The W in the table means weight of therefore end ball valve.

Class 900Lb mm

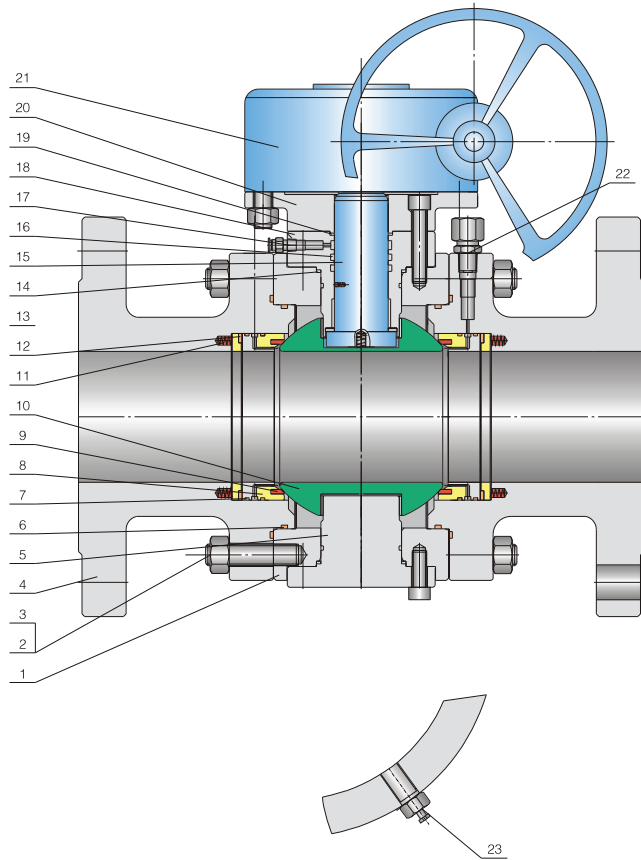
Size (in)	L			H≈	H1≈	M≈	W≈ (kg)
	RF	RTJ	BW				
2	368	371	368	217	118.5	500	47
3 × 2 ⊙	381	384	381	217	118.5	500	52
2 1/2	419	422	419	241	133	600	61
3 × 2 1/2 ⊙	381	384	381	241	133	600	66
4 × 2 1/2 ⊙	457	460	457	241	133	600	80
3	381	384	381	259	141	900	82
4 × 3 ⊙	457	460	457	259	141	900	97
6 × 3 ⊙	610	613	610	259	141	900	158
4	457	460	457	297	167	1000	145
6 × 4 ⊙	610	613	610	297	167	1000	203
8 × 4 ⊙	737	740	737	297	167	1000	292

Class 2500Lb mm

Size (in)	L			H≈	H1≈	M≈	W≈ (kg)
	RF	RTJ	BW				
2	451	454	451	240	129	1000	108
3 × 2 ⊙	578	584	578	240	129	1000	185
2 1/2	508	514	508	270	135	1000	135
3 × 2 1/2 ⊙	578	584	578	270	135	1000	198
4 × 2 1/2 ⊙	673	683	673	270	135	1000	217
3	578	584	578	300	159	1000	215
4 × 3 ⊙	673	683	673	300	159	1000	275
6 × 3 ⊙	914	927	914	300	159	1000	420
4	673	683	673	350	204	-	389
6 × 4 ⊙	914	927	914	350	204	-	526
8 × 4 ⊙	1022	1038	1022	350	204	-	654

⊙规则孔 Regular bore; ⊙缩孔 Reduce bore; ※齿轮箱操作
■W 指RF法兰面球阀重量 The W in the table means weight of therefore end ball valve.

主要结构图形 Major Features



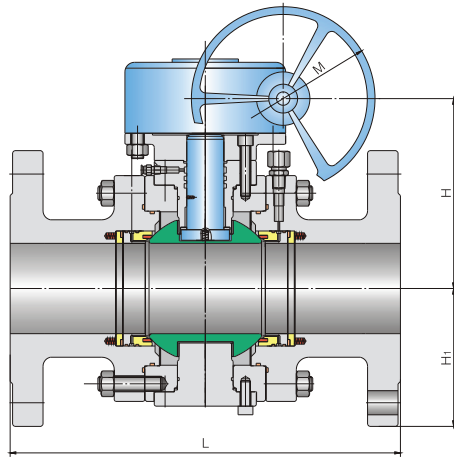
主要参数 Main Parameter Specification

设计和制造 Design and Manufacture: API 6D、ASME B16.34(BS5351)、API 608、MSS-SP-72
 结构长度尺寸 End to End Dimension: API 6D、ASME B16.10
 法兰连接尺寸 Flange Connection Dimension: ASME B16.5、NPS≥26" Per as ASME B16.47
 对焊端尺寸 BW Connection Dimension: ASME B16.25
 检查和试验 Test and Inspection: API 6D、API 598
 防火设计 Fire-safe Design: API 607/6Fa
 防静电设计和防爆阀杆 Anti-static Design & Anti Blow-out Stem

主要材料 Main Material

序号 No.	名称 Part Name	材料 Material
1	阀体 Body	A105, A350-LF2, A182-F304, F304L, F316, F316L, F321, F51, F53
2	螺母 Nut	A194-2H, 2HM, 8, 8M
3	螺栓 Bolt	A193-B7, B7M, B8, B8M
4	连接体 Adapter	A105, A350-LF2, A182-F304, F304L, F316, F316L, F321, F51, F53
5	固定轴 Trunnion	1045+ENP, A182-F6, F304, F304L, F316, F316L, F321, F51, F53, 4140+ENP, 17-4PH
6	O型圈 O-Ring	NBR, VITON
7	O型圈 O-Ring	VITON
8	阀座圈 Seat Ring	A105+ENP, A182-F6, F304, F304L, F316, F316L, F321, F51, F53
9	阀座 Seat	PTFE, RPTFE, NYLON, PEEK, PPL, POM, KARBATE, MOLON, DEVLON
10	球 Ball	A105+ENP, A350-LF2+ENP, A182-F6, F304, F304L, F316, F316L, F321, F51, F53
11	弹簧 Spring	SS304, Inconel, 1566+ENP
12	密封圈 Sealing Ring	Flexible Graphite
13	复合轴承 Bearing	1045+RPTFE, SS304+RPTFE, SS316+RPTFE
14	密封圈 Sealing Ring	SS304, SS316+Flexible Graphite Spiral Wound
15	阀杆 Stem	1045+ENP, A182-F6, F304, F304L, F316, F316L, F321, F51, F53, 4140+ENP, 17-4PH
16	O型圈 O-Ring	NBR, VITON
17	注油阀 Oil Cup	1025, SS304
18	填料箱 Stuffing Box	A105+ENP, A182-F6, F304, F304L, F316, F316L, F321, F51, F53
19	填料 Packing	Flexible Graphite
20	连接盘 Connecting Plate	1025, A216-WCB, A351 CF8
21	齿轮 Gear	
22	注脂阀 Grease fitting	1025, SS304, SS316, F51, F53
23	丝堵和放泄阀 Drain Valve and Plug	1025, SS304, SS316, F51, F53, ALLOY-20

结构形式及尺寸表 Construction and Dimension



Size (in)	L			H≈	H1≈	M≈	W≈(kg)	
	RF	RTJ	BW				I	II
6	394	406	457	280	178	300	182	172
8×6	457	470	521	280	178	300	210	200
10×6	533	546	559	280	178	300	-	-
8	457	470	521	305	225	300	320	302
10×8	533	546	559	305	225	300	355	338
12×8	610	622	635	305	225	300	-	-
10	533	546	559	395	257	300	515	490
12×10	610	622	635	395	257	300	565	538
14×10	686	699	762	395	257	300	615	586
16×10	762	775	838	395	257	300	-	-
12	610	622	635	428	323	300	682	649
14×12	686	699	762	428	323	300	723	689
16×12	762	775	838	428	323	300	786	749
18×12	864	876	914	428	323	300	-	-
14	686	699	762	465	355	400	856	815
16×14	762	775	838	465	355	400	903	860
18×14	864	876	914	465	355	400	-	-
20×14	914	927	991	465	355	400	-	-
16	762	775	838	528	398	450	1076	1025
18×16	864	876	914	528	398	450	1165	1110
20×16	914	927	991	528	398	450	1502	1430
18	864	876	914	564	437	500	1658	1579

Size (in)	L			H≈	H1≈	M≈	W≈(kg)	
	RF	RTJ	BW				I	II
20×18	914	927	991	564	437	500	1783	1698
20	914	927	991	577	453	500	2041	1944
24×20	1067	1080	1143	577	453	500	2508	2389
22	991*	-	1092*	635	499	500	2905	2767
24×22	1067	1080	1143	635	499	500	-	-
24	1067	1080	1143	817	592	500	3284	3120
30×24	1295	-	1397	817	592	500	3940	3752
26	1143	-	1245	892	624	550	3870	3686
28×26	1245	-	1346	892	624	550	-	-
28	1245	-	1346	942	702	812	4494	4280
30×28	1295	-	1397	942	702	812	-	-
30	1295	-	1397	962	715	812	4048	3855
32×30	1372	-	1524	962	715	812	-	-
36×30	1524	-	1727	962	715	812	4520	4305
32	1372	-	1524	1045	755	812	6468	6160
34	1473	-	1626	1095	785	812	7592	7230
36	1524	-	1727	1117	836	914	9253	8812
40	1753*	-	1753*	1285	900	914	12463	11870
42	1855*	-	2015*	1330	935	914	13807	13150
48	2083*	-	2225*	1434	1050	914	21614	20585
56	2250*	-	2489*	1476	1306	1016	34440	32800

◎规则孔 Regular bore; ⊙缩孔 Reduce bore ※L由方厂与用户协商确定 L will be confirmed by this consumer and factory.
■W 指PN法兰面球阀重量 The W in the table means weight of therefore end ball valve.

结构形式及尺寸表 Construction and Dimension

Size (in)	L			H≈	H1≈	M≈	W≈(kg)	
	RF	RTJ	BW				I	II
6	403	419	403	285	201	300	205	195
8×6	502	518	521	285	201	300	223	212
10×6	568	584	559	285	201	300	-	-
8	502	518	521	342	232	300	338	322
10×8	568	584	559	342	232	300	373	355
12×8	648	664	635	342	232	300	-	-
10	568	584	559	390	283	400	584	556
12×10	648	664	635	390	283	400	634	604
14×10	762	778	762	390	283	400	696	663
16×10	838	854	838	390	283	400	-	-
12	648	664	635	435	335	400	730	695
14×12	762	778	762	435	335	400	767	730
16×12	838	854	838	435	335	400	-	-
18×12	914	930	914	435	335	400	-	-
14	762	778	762	467	360	450	940	895
16×14	838	854	838	467	360	450	1076	1025
18×14	914	930	914	467	360	450	-	-
20×14	991	1010	991	467	360	450	-	-
16	838	854	838	538	398	500	1570	1495
18×16	914	930	914	538	398	500	1743	1660
20×16	991	1010	991	538	398	500	2058	1960
18	914	930	914	625	437	500	1885	1795
20×18	991	1010	991	625	437	500	1979	1885
20	991	1010	991	712	477	500	2290	2181
24×20	1143	1165	1143	712	477	500	2785	2652
22	1092	1114	1092	799	495	550	2961	2820
24×22	1143	1165	1143	799	495	550	-	-
24	1143	1165	1143	826	585	550	3715	3538
30×24	1397	1422	1397	826	585	550	4660	4438
26	1245	1270	1245	862	630	550	4484	4270
28×26	1346	1372	1346	862	630	550	-	-
28	1346	1372	1346	893	683	550	5077	4835
30×28	1397	1422	1397	893	683	550	-	-
30	1397	1422	1397	968	715	550	6531	6220
32×30	1524	1553	1524	968	715	762	-	-
36×30	1727	1756	1727	968	773	762	7854	7480
32	1524	1553	1524	1008	805	812	7450	7095
34	1626	1654	1626	1073	875	914	8643	8231
36	1727	1756	1727	1100	923	914	10185	9700
40	1850*	-	1930*	1245	923	914	13487	12845
42	1900*	-	2015*	1345	959	914	15233	14508
48	2170*	-	2225*	1490	1108	914	23084	21985

◎规则孔 Regular bore; ⊙缩孔 Reduce bore ※L由方厂与用户协商确定 L will be confirmed by this consumer and factory.
■W 指PN法兰面球阀重量 The W in the table means weight of therefore end ball valve.

Size (in)	L			H≈	H1≈	M≈	W≈(kg)	
	RF	RTJ	BW				I	II
6	559	562	559	305	198	300	258	246
8×6	660	664	660	305	198	300	284	270
10×6	787	791	787	305	198	300	-	-
8	660	664	660	365	252	400	440	418
10×8	787	791	787	365	252	400	600	572
12×8	838	841	838	365	252	400	-	-
10	787	791	787	400	299	400	592	564
12×10	838	841	838	400	299	400	790	760
14×10	889	892	889	400	299	400	830	790
16×10	991	994	991	400	299	400	-	-
12	838	841	838	449	343	400	935	890
14×12	889	892	889	449	343	400	1145	1090
16×12	991	994	991	449	343	400	1207	1150
18×12	1092	1095	1092	449	343	400	-	-
14	889	892	889	507	377	450	1192	1135
16×14	991	994	991	507	377	450	1411	1344
18×14	1092	1095	1092	507	377	450	-	-
20×14	1194	1200	1194	507	377	450	-	-
16	991	994	991	543	416	550	1818	1731
18×16	1092	1095	1092	543	416	550	1991	1896
20×16	1194	1200	1194	543	416	550	2090	1990
18	1092	1095	1092	623	455	500	2152	2049
20×18	1194	1200	1194	623	455	500	2277	2169
20	1194	1200	1194	823	522	550	2730	2600
24×20	1397	1407	1397	823	522	550	3318	3160
22	1295	1305	1295	845	592	812	4019	3828
24×22	1397	1407	1397	845	592	812	-	-
24	1397	1407	1397	866	615	812	4579	4381
30×24	1651	1664	1651	866	615	812	5554	5290
26	1448	1461	1448	924	630	812	5591	5325
28×26	1549	1562	1549	924	630	812	-	-
28	1549	1562	1549	956	700	812	6757	6435
30×28	1651	1664	1651	956	700	812	-	-
30	1651	1664	1651	1038	726	914	7570	7210
32×30	1778	1794	1778	1038	726	914	-	-
36×30	2083	2099	2083	1038	726	914	9266	8825
32	1778	1794	1778	1218	788	914	9067	8635
34	1930	1946	1930	1230	815	914	9723	9260
36	2083	2099	2083	1269	875	914	12243	11600
40	2080*	-	2170*	1342	945	914	16779	15980
42	2175*	-	-	1520	989	1016	19740	18800
48	2435*	-	-	1655	1120	1016	30266	28825

结构形式及尺寸表 Construction and Dimension

Class 900Lb mm

Size (in)	L			H≈	H1≈	M≈	W≈(kg)	
	RF	RTJ	BW				I	II
6	610	613	610	360	250	400	352	335
8×6 ⊙	737	740	737	360	250	400	462	440
10×6 ⊙	838	841	838	360	250	400	-	-
8	737	740	737	394	280	450	584	556
10×8 ⊙	838	841	838	394	280	450	719	685
12×8 ⊙	965	968	965	394	280	450	-	-
10	838	841	838	502	325	500	982	935
12×10 ⊙	965	968	965	502	325	500	1066	1015
14×10 ⊙	1029	1038	1029	502	325	500	1216	1158
16×10 ⊙	1130	1140	1130	502	325	500	-	-
12	965	968	965	572	380	500	1365	1300
14×12 ⊙	1029	1038	1029	572	380	500	1638	1560
16×12 ⊙	1130	1140	1130	572	380	500	1722	1640
18×12 ⊙	1219	1232	1219	572	380	500	-	-
14	1029	1038	1029	675	395	550	1727	1645
16×14 ⊙	1130	1140	1130	675	395	550	1927	1835
18×14 ⊙	1219	1232	1219	675	395	550	-	-
20×14 ⊙	1321	1334	1321	675	395	550	-	-
16	1130	1140	1130	627	406	550	2351	2239
18×16 ⊙	1219	1232	1219	627	406	550	2533	2412
20×16 ⊙	1321	1334	1321	627	406	550	2933	2793
18	1219	1232	1219	731	418	550	3056	2910
20×18 ⊙	1321	1334	1321	731	418	550	3234	3080
20	1321	1334	1321	820	561	550	3919	3732
24×20 ⊙	1549	1568	1549	820	561	550	4867	4635
24	1549	1568	1549	853	634	812	6615	6300
30×24 ⊙	1880	1902	1880	853	634	914	8998	8570
26	1651	1674	1651	909	725	914	7949	7570
28×26 ⊙	1753*	1775*	1753*	909	725	914	-	-
28	1753*	1775*	1753*	980	765	914	9542	9088
30×28 ⊙	1880*	1902*	1880*	980	765	914	-	-
30	1880*	1902*	1880*	1095	810	914	11340	10800
32×30 ⊙	2032*	2054*	2032*	1095	810	914	-	-
36×30 ⊙	2286*	2315*	2286*	1095	810	914	13818	13160
32	2032*	2054*	2032*	1270	840	914	12584	11985
34	2159*	2188*	2159*	1310	860	914	18233	17365
36	2286*	2315*	2286*	1445	893	914	20497	19521

◎规则孔 Regular bore; ⊙缩孔 Reduce bore *L由方厂与用户协商确定 L will be confirmed by this consumer and factory.

■W 指RF法兰球阀重量 The W in the table means weight of therefore end ball valve.

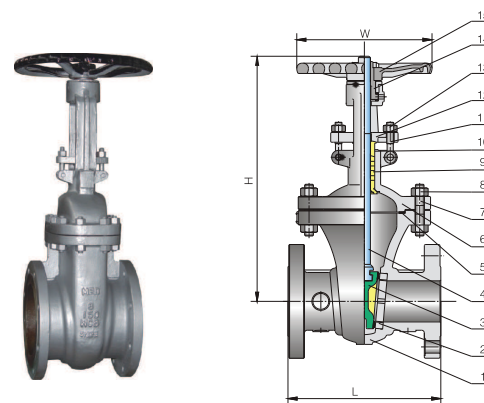
Class 1500Lb mm

Size (in)	L			H≈	H1≈	M≈	W≈(kg)	
	RF	RTJ	BW				I	II
6	705	771	705	305	211	400	512	488
8×6 ⊙	832	841	832	305	211	400	625	595
10×6 ⊙	991	1000	991	305	211	400	-	-
8	932	841	932	365	274	450	835	795
10×8 ⊙	991	1000	991	365	274	450	1037	988
12×8 ⊙	1130	1146	1130	365	274	450	-	-
10	991	1000	991	440	310	500	1470	1400
12×10 ⊙	1130	1146	1130	440	310	500	1580	1505
14×10 ⊙	1257	1276	1257	440	310	500	2251	2144
16×10 ⊙	1384	1407	1384	440	310	500	-	-
12	1130	1146	1130	596	485	500	1851	1763
14×12 ⊙	1257	1276	1257	596	485	500	2600	2476
16×12 ⊙	1384	1407	1384	596	485	500	3030	2886
18×12 ⊙	1537*	1559*	1537*	596	485	550	-	-
14	1257	1276	1257	661	510	550	2841	2706
16×14 ⊙	1384	1407	1384	661	510	550	3360	3198
18×14 ⊙	1537*	1559*	1537*	661	510	550	-	-
20×14 ⊙	1664*	1686*	1664*	661	510	550	-	-
16	1384	1406	1384	700	540	550	4373	4165
18×16 ⊙	1537*	1559*	1537*	700	540	550	5554	5290
20×16 ⊙	1664*	1686*	1664*	700	540	550	5906	5625
18	1537*	1559*	1537*	783	585	812	6332	6030
20×18 ⊙	1664*	1686*	1664*	783	585	812	7521	7163
20	1664*	1686*	1664*	880	635	914	9513	9060
24×20 ⊙	2043*	2071*	2043*	880	635	914	10922	10402
24	2043*	2071*	2043*	1285	720	914	15183	14460

Class 2500Lb mm

Size (in)	L			H≈	H1≈	M≈	W≈(kg)	
	RF	RTJ	BW				I	II
6	914	927	927	345	250	450	981	934
8×6 ⊙	1022	1038	1038	345	250	450	1176	1120
10×6 ⊙	1270	1292	1292	345	250	450	-	-
8	1022	1038	1038	402	340	500	1497	1426
10×8 ⊙	1270	1292	1292	402	340	500	2289	2180
12×8 ⊙	1422	1445	1445	402	340	500	-	-
10	1270	1292	1292	500	411	500	2527	2407
12×10 ⊙	1422	1445	1445	500	411	500	3516	3350
12	1422	1445	1445	650	480	550	3967	3778

铸钢闸阀Cast steel gate valve



序号No.	零件名称Part name
1	阀体Body
2	阀座Seat
3	闸板Wedge
4	阀杆Stem
5	垫片Gasket
6	阀盖Bonnet
7	螺栓Bolt
8	螺母Nut
9	填料Packing
10	填料压套Gland
11	活节螺母Gland eyebolt
12	填料压盖Gland flange
13	压盖螺母Gland nut
14	阀杆螺母Stem nut
15	手轮Handwheel

闸阀应用标准Applicable standards

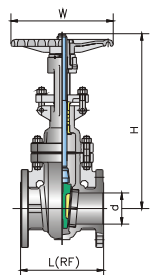
设计制造Design & manufacture	API 600, BS1414, API 6D, API 603, ASME B16.34
压力温度基准 P/T class	ASME B16.34
结构长度 Face to face	ASME B16.10 API 6D DIN3202
法兰连接端 Flanged ends	ASME B16.5(≤NPS24")DIN2501 ASME B16.47(≥24")
对接焊端 Butt welded ends	ASME B16.34
检查和试验 Inspection & test	API 598, ISO 5208, BS6755, API 6D

闸阀主要部件材料Material of main parts

零件名称 Part name	碳钢系列 Carbon steel			合金钢 Alloy steel			不锈钢 Stainless steel				
	A216 WCB	A352 LCB	A352 LCC	A217 WC6	A217 WC9	A217 C12	A351 CF8	A351 CF8M	A351 CF3	A351 CF3M	A351 CD4MCu
阀体Body	A216 WCB	A352 LCB	A352 LCC	A217 WC6	A217 WC9	A217 C12	A351 CF8	A351 CF8M	A351 CF3	A351 CF3M	A351 CD4MCu
阀盖Bonnet	A216 WCB	A352 LCB	A352 LCC	A217 WC6	A217 WC9	A217 C12	A351 CF8	A351 CF8M	A351 CF3	A351 CF3M	A351 CD4MCu
阀瓣Disc	A216 WCB	A352 LCB	A352 LCC	A217 WC6	A217 WC9	A217 C12	A351 CF8	A351 CF8M	A351 CF3	A351 CF3M	A351 CD4MCu
阀座Seat	A105	A350 LF2	A182 F304	A182 F11	A182 F22	A182 F9	A182 F304	A182 F316	A182 F304L	A182 F316L	A182 F51
阀杆Stem	A182 F62	A182 F6a	A182 F304	A182 F304	A182 F304	A182 F304	A182 F304	A182 F316	A182 F304L	A182 F316L	17-4Ph
螺栓Bolt	A193 B7	A320 L7	A320 L7	A193 B16	A193 B16	A193 B16	A183 B8	A183 B8M	A183 B8	A183 B8M	A193 B8M
螺母Nut	A194 2H	A194 4	A194 4	A194 4	A194 4	A194 4	A194 8	A194 8M	A194 8	A194 8M	A194 8M
填料压套Gland	A276 410	A276 410	A276 304	A276 304	A276 304	A276 304	A276 304	A276 316	A276 304L	A276 316L	A182 F51
填料压板 Gland flange	A216 WCB	A352 LCB	A352 LCC	A217 WCB	A217 WC9	A217 C12	A351 CF8	A351 CF8	A351 CF8	A351 CF8	A351 CF8
填料Packing	石墨Graphite, PTFE			石墨Graphite	石墨Graphite	石墨Graphite	石墨Graphite, PTFE				
垫片Gasket	四氟垫, 复合垫, 缠绕垫, 金属垫 Pure PTFE, Compound gasket, Spiralwound gasket, metallic gasket			复合垫, 缠绕垫, 金属垫 Compound gasket, Spiralwound gasket, metallic gasket			四氟垫, 复合垫, 缠绕垫, 金属垫 Pure PTFE, Compound gasket, Spiralwound gasket, metallic gasket				

材料可以由客户选择, 或按客户要求Customers can choose the specific materials as per the above table or as customer's request.

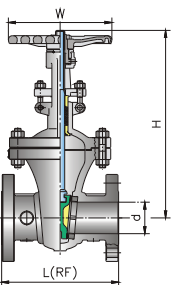
铸钢闸阀 Cast steel gate valve



CLASS 150

NPS	in	2	2 1/2	3	4	5	6	8	10	12	14	16	18	20	24	26	28	30	32	36
DN	mm	50	65	80	100	125	150	200	250	300	350	400	450	500	600	650	700	750	800	900
L(RF)	mm	178	190	203	229	254	267	292	330	356	381	406	432	457	508	559	610	610	660	711
L(BW)	mm	216	241	283	305	381	403	419	457	502	572	610	660	711	813	864	914	914	965	1016
L(RTJ)	mm	191	203	216	241	267	279	305	343	368	394	419	445	470	521	570	622	622	673	724
H(OPEN)	mm	395	435	485	592	675	765	960	1160	1352	1510	1703	1895	2120	2530	2920	3050	3150	3285	3825
W	mm	200	200	250	250	300	300	350	400	450	500	550	600	680	610	610	610	610	610	610
WT	kg	20	30	36	53	71	85	136	220	323	387	553	660	810	1250	1500	1935	2420	2530	3600

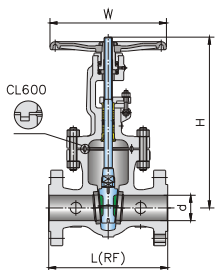
1. ≥ 14" 带球面推力球轴承 Equipped with spherical thrust bearing
2. ≥ 24" 齿轮传动 Equipped with gear operator



CLASS 300

NPS	in	2	2 1/2	3	4	5	6	8	10	12	14	16	18	20	24	30
DN	mm	50	65	80	100	125	150	200	250	300	350	400	450	500	600	750
L(RF)	mm	216	241	283	305	381	403	419	457	502	572	610	660	711	813	914
L(BW)	mm	216	241	283	305	381	403	419	457	502	572	610	660	711	813	914
L(RTJ)	mm	232	257	298	321	397	419	435	473	518	578	638	698	758	818	914
H(OPEN)	mm	41	453	515	615	712	810	1012	1212	1415	1650	1840	2030	2240	2900	3540
W	mm	200	200	250	250	300	350	400	450	500	460	460	610	610	610	610
WT	kg	30	39	55	83	92	137	240	333	536	750	1010	1210	1750	2840	3820

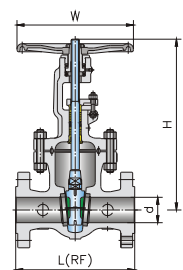
1. ≥ 12" 带球面推力球轴承 Equipped with spherical thrust bearing
2. ≥ 14" 齿轮传动 Equipped with gear operator



CLASS 600

NPS	in	2	2 1/2	3	4	5	6	8	10	12	14	16	18	20	24
DN	mm	50	65	80	100	125	150	200	250	300	350	400	450	500	600
L(RF)	mm	292	330	356	432	508	559	660	787	838	889	991	1092	1194	1397
L(BW)	mm	292	330	356	432	505	559	660	787	838	889	991	1092	1194	1397
L(RTJ)	mm	295	330	359	435	511	562	664	791	841	892	994	1095	1200	1407
H(OPEN)	mm	418	476	518	646	770	839	1024	1229	1450	1730	1835	2290	2510	3200
W	mm	250	250	300	350	400	500	600	720	610	610	610	610	760	760
WT	kg	35	50	68	104	148	208	328	496	784	1120	1448	1828	220	3360

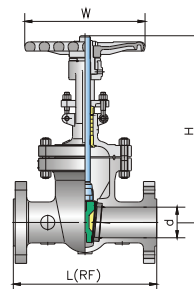
1. ≥ 8" 带球面推力球轴承 Equipped with spherical thrust bearing
2. ≥ 12" 齿轮传动 Equipped with gear operator



CLASS 900

NPS	in	2	2 1/2	3	4	6	8	10	12	14	16
DN	mm	50	65	80	100	150	200	250	300	350	400
L(RF)	mm	368	419	381	457	610	737	838	965	1029	1130
L(BW)	mm	368	419	381	457	610	737	838	965	1029	1130
L(RTJ)	mm	371	422	384	460	613	740	841	968	1038	1140
H(OPEN)	mm	547	700	587	679	900	1103	1590	1795	2025	2170
W	mm	300	350	400	450	550	460	610	610	760	760
WT	kg	90	110	123	148	420	650	1160	1700	2300	2750

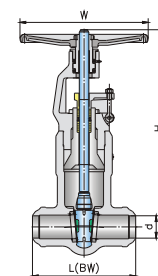
1. ≥ 8" 带球面推力球轴承 Equipped with spherical thrust bearing
2. ≥ 8" 齿轮传动 Equipped with gear operator



CLASS 1500

NPS	in	2	2 1/2	3	4	6	8	10	12	14	16
DN	mm	50	65	80	100	150	200	250	300	350	400
L(RF)	mm	368	419	470	546	705	832	991	1130	1257	1384
L(BW)	mm	368	419	470	546	705	832	991	1130	1257	1384
L(RTJ)	mm	371	422	473	549	711	841	1000	1146	1276	1407
H(OPEN)	mm	547	700	806	887	1079	1370	1520	1651	1945	2250
W	mm	350	400	450	550	460	610	760	760	760	760
WT	kg	93	144	185	285	584	978	1990	2850	3320	4890

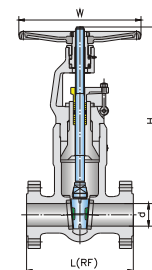
1. ≥ 6" 带球面推力球轴承 Equipped with spherical thrust bearing
2. ≥ 8" 齿轮传动 Equipped with gear operator



CLASS 900

NPS	in	2	2 1/2	3	4	6	8	10	12	14	16
DN	mm	50	65	80	100	150	200	250	300	350	400
L(RF)	mm	368	419	381	457	610	737	838	965	1029	1130
L(BW)	mm	216	254	305	356	508	660	787	914	991	1092
L(RTJ)	mm	371	422	384	460	613	740	841	968	1038	1140
H(OPEN)	mm	600	653	684	843	1092	1372	1494	1892	2144	2046
W	mm	300	350	400	450	550	460	610	610	760	760
WT	kg	42	45	60	120	280	465	690	942	1440	1990

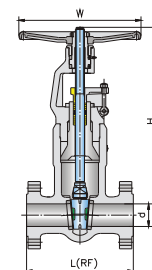
1. ≥ 6" 齿轮传动 Equipped with gear operator



CLASS 1500

NPS	in	2	2 1/2	3	4	6	8	10	12	14	16
DN	mm	50	65	80	100	150	200	250	300	350	400
L(RF)	mm	368	419	470	546	705	832	991	1130	1257	1384
L(BW)	mm	216	254	305	406	559	711	864	991	1067	1194
L(RTJ)	mm	371	422	473	549	711	841	1000	1146	1276	1407
H(OPEN)	mm	600	653	700	850	1168	1372	1655	1810	2215	2330
W	mm	350	400	450	550	460	610	760	760	760	760
WT	kg	42	45	60	125	400	586	974	1464	2140	2750

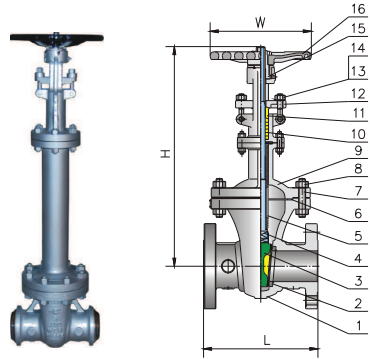
1. ≥ 6" 齿轮传动 Equipped with gear operator



CLASS 2500

NPS	in	2	2 1/2	3	4	6	8
DN	mm	50	65	80	100	150	200
L(RF)	mm	451	508	578	673	914	1022
L(BW)	mm	279	330	368	457	610	762
L(RTJ)	mm	454	514	584	683	927	1038
H(OPEN)	mm	620	647	760	982	933	1345
W	mm	350	400	450	550	610	610
WT	kg	52	55	80	130	480	828

1. ≥ 6" 齿轮传动 Equipped with gear operator



序号No.	零件名称Part name
1	阀体Body
2	阀座Seat
3	闸板Wedge
4	阀杆Stem
5	波纹管组件Bellow assemble
6	垫片Gasket
7	螺栓Bolt
8	螺母Nut
9	阀盖Bonnet
10	填料Packing
11	填料压套Gland
12	填料压盖Gland flange
13	活节螺母Gland eyebolt
14	压盖螺母Gland nut
15	阀杆螺母Stem nut
16	手轮Handwheel

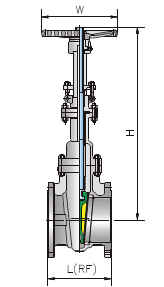
波纹管闸阀应用标准Applicable standards

设计制造Design & manufacture	API 600, ASME B16.34, MSS-SP-117
压力温度基准 P/T class	ASME B16.34
结构长度 Face to face	ASME B16.10 API 6D
法兰连接端 Flanged ends	ASME B16.5(NPS24")
	ASME B16.47(≥24")
对接焊端 Butt welded ends	ASME B16.25
检查和试验 Inspection & test	API 598, ISO 5208, API 6D

波纹管闸阀主要部件材料Material of main parts

零件名称 Part name	碳钢系列 Carbon steel			不锈钢 Stainless steel			
	A216 WCB	A352 LCB	A352 LCC	A351 CF8	A351 CF8M	A351 CF3	A351 CF3M
阀体Body	A216 WCB	A352 LCB	A352 LCC	A351 CF8	A351 CF8M	A351 CF3	A351 CF3M
阀盖Bonnet	A216 WCB	A352 LCB	A352 LCC	A351 CF8	A351 CF8M	A351 CF3	A351 CF3M
闸板Seat	A216 WCB	A352 LCB	A352 LCC	A351 CF8	A351 CF8M	A351 CF3	A351 CF3M
阀座Seat	A105	A350 LF2	A182 F304	A182 F304	A182 F316	A182 F304L	A182 F316L
波纹管Bellow	F304, F316L, Inconel 625, Hastelloy C276, Monel, SS321						
阀杆Stem	A182 F6z	A182 F6a	A182 F304	A182 F304	A182 F316	A182 F304L	A182 F316L
螺栓Bolt	A193 B7	A320 L7	A320 L7	A183 B8	A183 B8M	A183 B8	A183 B8M
螺母Nut	A194 2H	A194 4	A194 4	A194 8	A194 8M	A194 8	A194 8M
填料压套Gland	A276 410	A276 410	A276 304	A276 304	A276 316	A276 304L	A276 316L
填料压板 Gland flange	A216 WCB	A352 LCB	A352 LCC	A351 CF8	A351 CF8	A351 CF8	A351 CF8
填料Packing	石墨Graphite, PTFE			石墨Graphite, PTFE			
垫片Gasket	柔性石墨+不锈钢Flexible Graphite+stainless steel			柔性石墨+不锈钢Flexible Graphite+stainless steel			

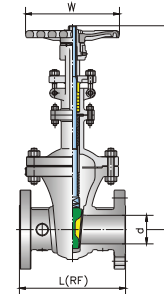
材料可以由客户选择, 或按客户要求Customers can choose the specific materials as per the above table or as customer's request.



CLASS 150

NPS	in	2	2 1/2	3	4	5	6	8	10	12	14	16	18	20	24
DN	mm	50	65	80	100	125	150	200	250	300	350	400	450	500	600
L(RF)	mm	178	190	203	229	267	267	292	330	356	381	400	432	457	508
L(BW)	mm	216	241	283	305	403	403	419	457	502	572	610	660	711	813
H(OPEN)	mm	570	680	755	865	1120	1120	1460	1790	2270	2670	3110	3500	4160	5170
W	mm	200	200	250	250	300	300	350	400	450	500	550	600	680	810
WT	kg	300	50	650	80	125	125	160	260	340	500	610	780	900	1350

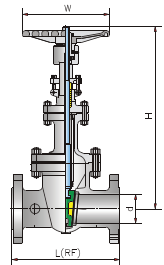
1. ≥14" 带球面推力球轴承Equipped iwth spherical thrust bearing
2. ≥24" 齿轮传动 Equipped with gear operator



CLASS 300

NPS	in	2	2 1/2	3	4	5	6	8	10	12	14	16	18	20	24
DN	mm	50	65	80	100	125	150	200	250	300	350	400	450	500	600
L(RF)	mm	178	241	283	305	381	403	419	457	502	762	838	914	991	1143
L(BW)	mm	216	241	283	305	381	403	419	457	502	762	838	914	991	1143
H(OPEN)	mm	570	830	950	1175	1300	1500	1800	2150	2480	2800	3250	3600	4300	5300
W	mm	200	200	250	250	300	3500	400	450	500	460	460	610	610	6100
WT	kg	300	53	80	95	130	220	300	490	700	940	1150	1600	2600	300

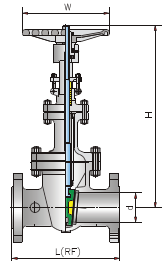
1. ≥12" 带球面推力球轴承Equipped iwth spherical thrust bearing
2. ≥14" 齿轮传动 Equipped with gear operator



CLASS 600

NPS	in	2	2 1/2	3	4	5	6	8	10	12	14	16	18	20
DN	mm	50	65	80	100	125	150	200	250	300	350	400	450	500
L(RF)	mm	292	330	356	432	508	559	660	787	838	889	991	1092	1194
L(BW)	mm	292	330	356	432	508	559	660	787	838	889	991	1092	1194
H(OPEN)	mm	920	980	1010	1190	1380	1730	2100	2370	2770	3080	3570	3950	4700
W	mm	250	250	300	350	400	500	600	720	610	610	610	610	760
WT	kg	50	70	95	120	180	250	440	680	900	1280	1480	1990	3030

1. ≥8" 带球面推力球轴承Equipped iwth spherical thrust bearing
2. ≥8" 齿轮传动 Equipped with gear operator



CLASS 900

NPS	in	2	2 1/2	3	4	6	8	10	12	14	16
DN	mm	50	65	80	100	150	200	250	300	350	400
L(RF)	mm	368	419	381	457	610	737	838	965	1029	1130
L(BW)	mm	368	419	381	457	610	737	838	965	1029	1130
L(RTJ)	mm	371	422	384	460	613	740	841	968	1038	1140
H(OPEN)	mm	547	700	587	679	900	1103	1590	1795	2025	2170
W	mm	300	350	400	450	550	460	610	610	760	760
WT	kg	90	110	123	148	420	650	1160	1700	2300	2750

1. ≥6" 带球面推力球轴承Equipped iwth spherical thrust bearing
2. ≥8" 齿轮传动 Equipped with gear operator

双闸板平板闸阀 Double-disc Parallel Gate Valve



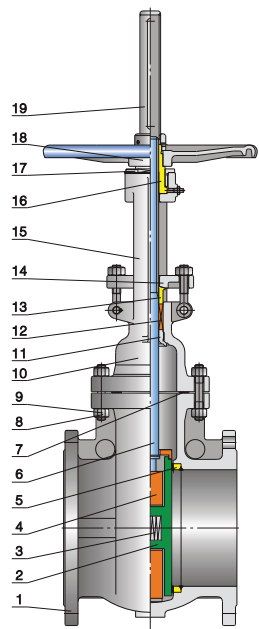
闸阀应用标准 Applicable standards

设计制造 Design & manufacture	API 600, BS1414, API 6D, API 603, ASME B16.34
压力温度基准 P/T class	ASME B16.34
结构长度 Face to face	ASME B16.10 API 6D DIN3202
法兰连接端 Flanged ends	ASME B16.5(≤NPS24")DIN2501
对接焊端 Butt welded ends	ASME B16.47(≥24")
检查和试验 Inspection & test	API 598, ISO 5208, BS6755, API 6D

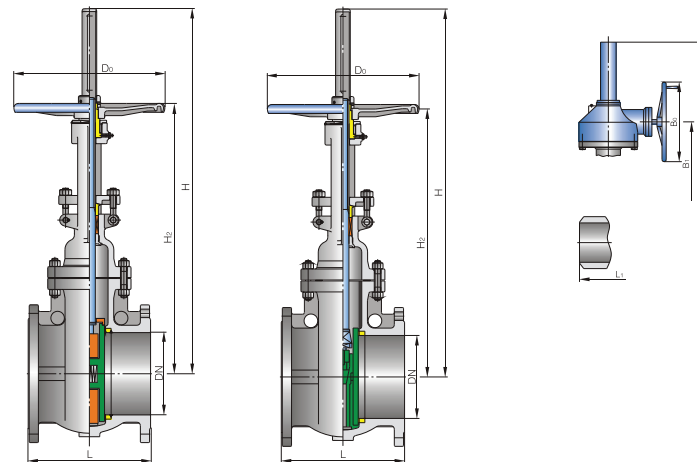
主要零件材料 Major Parts Material Form

序号 No.	零件名称 Accessory name	材料 Material			
		普通型 Ordinary type		抗硫型 Antisulphur type	
		GB	ASTM	GB	ASTM
1	阀体 Body	WCB	A216-WCB	WCB	A216-WCB
2	闸板 Disc	25+STL	A105+STL	1Cr18Ni9+STL	A276-304+STL
3	弹簧 Spring	65MM Inconel X-750			
4	闸板架 Disc frame	WCB	A216-WCB	WCB	A216-WCB
5	阀座 Seat	25+STL	A105+STL	1Cr18Ni9+STL	A276-304+STL
6	阀杆 Stem	2Cr13	A276-410	1Cr18Ni9	A276-304
7	垫片 Gasket	柔性石墨+1Cr18Ni9 Graphite+1Cr18Ni9	柔性石墨+304 Graphite+304	柔性石墨+1Cr18Ni9 Graphite+1Cr18Ni9	柔性石墨+304 Graphite+304
8	螺柱 Stud	35CrMoA	A193-B7	35CrMoA	A193-B7
9	螺母 Nut	35	A194-2H	35	A194-2H
10	阀盖 Bonnet	WCB	A216-WCB	WCB	A216-WCB
11	上密封座 Back seat	1Cr13	A276-410	1Cr18Ni9	A276-304
12	填料 Packing	柔性石墨 Graphite			
13	填料压套 Packing press-sleeve	2Cr13	A276-420	2Cr13	A276-420
14	填料压盖 Packing gland	WCB	A276-WCB	WCB	A216-WCB
15	支架 Yoke	WCB	A216-WCB	WCB	A216-WCB
16	阀杆螺母 Stem nut	ZQA19-4	C95500	ZQA19-4	C95500
17	压盖 Gland	25	A105	25	A105
18	手轮 Hand wheel	QT400-17	A536-60-40-18	QT400-17	A536-60-40-18
19	指示罩 Indicating cover	25	A105	25	A105

注：阀门主要零部件材质可根据实际工况条件或用户特殊要求设计选用。
Note: The major parts of the valves can be designed and selected according to actual work condition or customers' specific requirement.



自动补偿平衡式双平板闸阀 Auto Compensation Balanced Double Parallel Gate Valve
双闸板平板闸阀 Double-disc Parallel Gate Valve



主要外形尺寸 Main Size of Outside

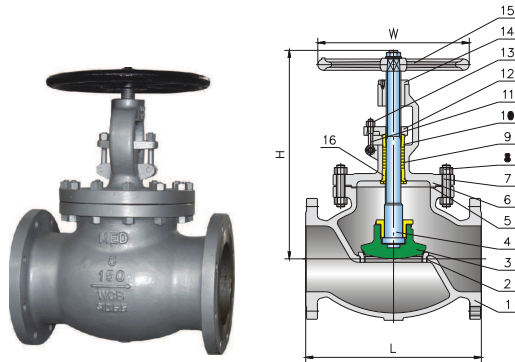
PN1.6、2.5MPa PN2.0MPa API 6D Class150

DN (mm)	NPS (in)	法兰 Flange		对焊 Butt welding		手动 Hand-operated			齿动 Geared driving		
		L		L ₁	H	H ₂	D ₀	B	B ₁	B ₀	
		GB	API								
50	2	250	178	216	475	360	250	-	-	-	
65	2½	280	190	241	535	425	300	-	-	-	
80	3	310	203	283	600	460	300	-	-	-	
100	4	350	229	305	700	535	350	-	-	-	
150	6	450	267	403	910	685	350	-	-	-	
200	8	550	292	419	1095	815	350	1235	900	310	
250	10	650	330	457	1370	965	450	1510	1050	310	
300	12	750	356	502	1470	1100	500	1610	1185	310	
350	14	850	381	572	1730	1250	600	1890	1345	460	
400	16	950	406	610	1870	1375	650	2030	1470	460	
450	18	1050	432	660	2185	1485	700	2415	1625	460	
500	20	1150	457	711	2335	1575	800	2565	1715	460	
600	24	1350	508	813	2815	1995	1000	3045	2135	460	
700	28	1450	610	914	-	-	-	-	-	-	
800	32	1650	660	965	-	-	-	-	-	-	
900	36	1880	813	1016	-	-	-	-	-	-	

主要外形尺寸 Main Size of Outside

PN4.0MPa PN5.0MPa API 6D Class300

DN (mm)	NPS (in)	法兰 Flange		对焊 Butt welding		手动 Hand-operated			齿动 Geared driving		
		L		L ₁	H	H ₂	D ₀	B	B ₁	B ₀	
		GB	API								
50	2	250	216	216	475	360	250	-	-	-	
65	2½	280	241	241	535	425	300	-	-	-	
80	3	310	283	283	600	460	300	-	-	-	
100	4	350	305	305	700	535	350	-	-	-	
150	6	450	403	403	910	685	350	-	-	-	
200	8	550	419	419	1095	815	350	1235	900	310	
250	10	650	457	457	1370	965	450	1510	1050	310	
300	12	750	502	502	1470	1100	500	1610	1185	310	
350	14	850	572	572	1730	1250	600	1890	1345	460	
400	16	950	610	610	1870	1375	650	2030	1470	460	
450	18	1050	660	660	2185	1485	700	2415	1625	460	
500	20	1150	691	691	2335	1575	800	2565	1715	460	
600	24	1350	813	813	2815	1995	1000	3045	2135	460	
700	28	1450	914	914	-	-	-	-	-	-	
800	32	1650	1016	1016	-	-	-	-	-	-	
900	36	1880	1118	1118	-	-	-	-	-	-	



序号No.	零件名称Part name
1	阀体Body
2	阀座Seat
3	闸板Wedge
4	阀杆Stem
5	垫片Gasket
6	阀盖Bonnet
7	螺栓Bolt
8	螺母Nut
9	填料Packing
10	填料压套Gland
11	活节螺栓Gland eyebolt
12	填料压盖Gland flange
13	压盖螺母Gland nut
14	阀杆螺母Stem nut
15	手轮Handwheel
16	上密封座Backseat

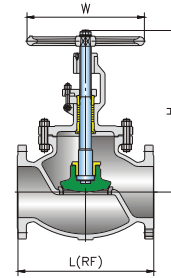
截止阀应用标准Applicable standards

设计制造Design & manufacture	BS1873, API 603, ASME B16.34
压力温度基准 P/T class	ASME B16.34
结构长度 Face to face	ASME B16.10 DIN3202
法兰连接端 Flanged ends	ASME B16.5(≥NPS24")DIN2501
对接焊端 Butt welded ends	ASME B16.25
检查和试验 Inspection & test	API 598, ISO 5208, BS6755,

截止阀主要部件材料Material of main parts

零件名称 Part name	碳钢系列 Carbon steel			合金钢 Alloy steel			不锈钢 Stainless steel				
阀体Body	A216 WCB	A352 LCB	A352 LCC	A217 WC6	A217 WC9	A217 C12	A351 CF8	A351 CF8M	A351 CF3	A351 CF3M	A351 CD4MCu
阀盖Bonnet	A216 WCB	A352 LCB	A352 LCC	A217 WC6	A217 WC9	A217 C12	A351 CF8	A351 CF8M	A351 CF3	A351 CF3M	A351 CD4MCu
阀瓣Disc	A216 WCB	A352 LCB	A352 LCC	A217 WC6	A217 WC9	A217 C12	A351 CF8	A351 CF8M	A351 CF3	A351 CF3M	A351 CD4MCu
阀座Seat	A105	A350 LF2	A182 F304	A182 F11	A182 F22	A182 F9	A182 F304	A182 F316	A182 F304L	A182 F316L	A182 F51
阀杆Stem	A182 F62	A182 F6a	A182 F304	A182 F304	A182 F304	A182 F304	A182 F304	A182 F316	A182 F304L	A182 F316L	17-4Ph
螺栓Bolt	A193 B7	A320 L7	A320 L7	A193 B16	A193 B16	A193 B16	A183 B8	A183 B8M	A183 B8	A183 B8M	A193 B8M
螺母Nut	A194 2H	A194 4	A194 4	A194 4	A194 4	A194 4	A194 8	A194 8M	A194 8	A194 8M	A194 8M
填料压套Gland	A276 410	A276 410	A276 304	A276 304	A276 304	A276 304	A276 304	A276 316	A276 304L	A276 316L	A182 F51
填料压板 Gland flange	A216 WCB	A352 LCB	A352 LCC	A217 WC6	A217 WC9	A217 C12	A351 CF8	A351 CF8	A351 CF8	A351 CF8	A351 CF8
填料Packing	石墨Graphite, PTFE			石墨Graphite	石墨Graphite	石墨Graphite	石墨Graphite, PTFE				
垫片Gasket	四氟垫, 复合垫, 缠绕垫, 金属垫 Pure PTFE, Compound gasket, Spiralwound gasket, metallic gasket			复合垫, 缠绕垫, 金属垫 Compound gasket, Spiralwound gasket, metallic gasket			四氟垫, 复合垫, 缠绕垫, 金属垫 Pure PTFE, Compound gasket, Spiralwound gasket, metallic gasket				

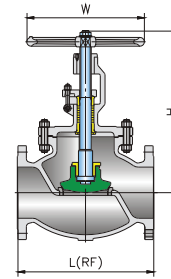
材料可以由客户选择, 或按客户要求Customers can choose the specific materials as per the above table or as customer's request.



CLASS 150

NPS	in	2	2 1/2	3	4	5	6	8	10	12	14	16
DN	mm	50	65	80	100	125	150	200	250	300	350	400
L(RF)	mm	203	216	241	292	356	406	495	622	698	787	914
L(BW)	mm	203	216	241	292	356	406	495	622	698	787	914
L(RTJ)	mm	216	229	254	305	368	419	508	635	711	800	927
H(OPEN)	mm	373	390	421	515	538	567	626	712	862	950	994
W	mm	200	250	250	300	350	350	400	500	460	460	460
WT	kg	21	28	42	64	77	105	154	288	507	640	870

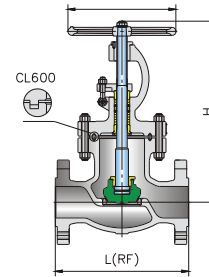
1. ≥12" 齿轮传动 Equipped with gear operator



CLASS 300

NPS	in	2	2 1/2	3	4	5	6	8	10	12	14	16
DN	mm	50	65	80	100	125	150	200	250	300	350	400
L(RF)	mm	267	292	318	356	400	444	559	622	711	838	864
L(BW)	mm	267	292	318	356	400	444	559	622	711	838	864
L(RTJ)	mm	283	308	333	371	416	460	575	638	727	854	880
H(OPEN)	mm	398	436	462	560	620	694	982	1130	1049	1385	1560
W	mm	200	250	250	350	400	450	560	864	460	610	610
WT	kg	31	43	57	86	130	168	280	385	724	820	1060

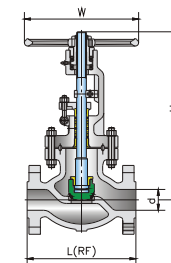
1. ≥12" 齿轮传动 Equipped with gear operator



CLASS 600

NPS	in	2	2 1/2	3	4	6	8	10	12
DN	mm	50	65	80	100	150	200	250	300
L(RF)	mm	292	330	356	432	559	660	787	838
L(BW)	mm	292	330	356	432	559	660	787	838
L(RTJ)	mm	295	333	359	435	562	664	791	840
H(OPEN)	mm	425	502	520	620	886	932	1040	1280
W	mm	250	300	350	450	720	460	610	760
WT	kg	39	58	73	120	327	482	700	900

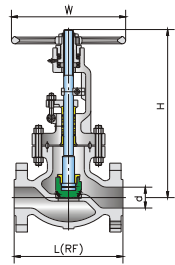
1. ≥8" 齿轮传动 Equipped with gear operator



CLASS 900

NPS	in	2	2 1/2	3	4	6	8
DN	mm	50	65	80	100	150	200
L(RF)	mm	368	419	381	457	610	737
L(BW)	mm	368	419	381	457	610	737
L(RTJ)	mm	371	422	384	460	613	740
H(OPEN)	mm	535	630	675	780	935	1050
W	mm	350	400	450	560	460	610
WT	kg	75	94	105	185	340	630

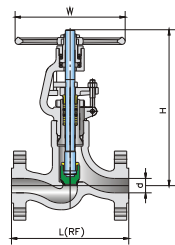
1. ≥6" 齿轮传动 Equipped with gear operator



CLASS 1500

NPS	in	2	2 1/2	3	4	6	8
DN	mm	50	65	80	100	150	200
L(RF)	mm	368	419	470	546	705	832
L(BW)	mm	368	419	470	546	705	832
L(RTJ)	mm	371	422	473	549	711	841
H(OPEN)	mm	592	660	692	907	1015	1145
W	mm	350	400	450	460	610	610
WT	kg	84	115	183	277	415	615

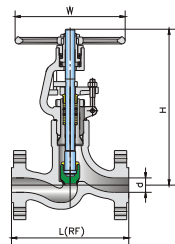
1. ≥6" 齿轮传动 Equipped with gear operator



CLASS 900

NPS	in	2	2 1/2	3	4	6	8	10	12	14
DN	mm	50	65	80	100	150	200	250	300	350
L(RF)	mm	368	419	381	457	610	737	838	965	1029
L(BW)	mm	371	422	384	460	613	740	841	968	1039
L(RTJ)	mm	216	254	305	356	508	660	787	914	990
H(OPEN)	mm	457	457	457	584	825	990	1186	1320	1524
W	mm	350	400	450	560	460	610	910	910	910
WT(BW)	kg	55	65	80	120	261	437	727	1030	1534
WT	kg	75	94	105	185	340	630	950	1350	2050

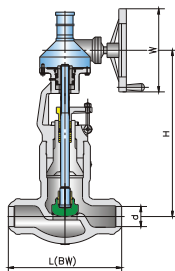
1. ≥6" 齿轮传动 Equipped with gear operator



CLASS 1500

NPS	in	2	2 1/2	3	4	6	8	10	12
DN	mm	50	65	80	100	150	200	250	300
L(RF)	mm	368	419	470	546	705	832	991	1130
L(BW)	mm	371	422	473	549	711	841	1001	1146
L(RTJ)	mm	216	254	305	406	559	711	864	991
H(OPEN)	mm	592	660	692	907	1015	1145	1270	1447
W	mm	350	400	450	460	610	610	910	1060
WT(BW)	kg	55	65	100	160	367	626	1163	1835
WT	kg	84	115	183	277	510	852	1533	2390

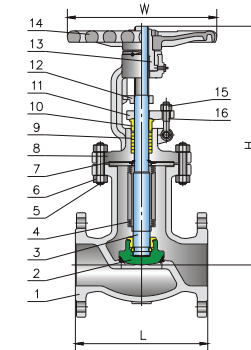
1. ≥6" 齿轮传动 Equipped with gear operator



CLASS 2500

NPS	in	2	2 1/2	3	4	6	8	10	12
DN	mm	50	65	80	100	150	200	250	300
L(RF)	mm	451	508	578	673	914	1022	1270	1422
L(BW)	mm	454	524	584	683	927	1038	1292	1444
L(RTJ)	mm	279	330	368	457	610	762	914	1041
H(OPEN)	mm	592	660	692	907	1015	1200	1416	1524
W	mm	400	400	450	460	710	910	1060	1060
WT(BW)	kg	74	74	114	240	459	767	1320	1905
WT	kg	120	120	195	360	770	1238	2222	3310

1. ≥6" 齿轮传动 Equipped with gear operator



序号No.	零件名称Part name
1	阀体Body
2	阀瓣Disc
3	阀杆Stem
4	波纹管组件Bellow assemble
5	螺栓Bolt
6	螺母Nut
7	垫片Gasket
8	阀盖Bonnet
9	填料Packing
10	填料压套Gland
11	填料压盖Gland flange
12	定位块Guiding piece
13	阀杆螺母Stem nut
14	手轮Handwheel
15	活节螺栓Gland eyebolt
16	压盖螺母Gland nut

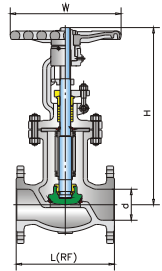
波纹管截止阀应用标准Applicable standards

设计制造Design & manufacture	BS1873, ASME B16.34, MSS-SP-117
压力温度基准 P/T class	ASME B16.34
结构长度 Face to face	ASME B16.10
法兰连接端 Flanged ends	ASME B16.5
对接焊端 Butt welded ends	ASME B16.25
检查和试验 Inspection & test	API 598

波纹管截止阀主要部件材料Material of main parts

零件名称 Part name	碳钢系列 Carbon steel			不锈钢 Stainless steel			
	A216 WCB	A352 LCB	A352 LCC	A351 CF8	A351 CF8M	A351 CF3	A351 CF3M
阀体Body	A216 WCB	A352 LCB	A352 LCC	A351 CF8	A351 CF8M	A351 CF3	A351 CF3M
阀盖Bonnet	A216 WCB	A352 LCB	A352 LCC	A351 CF8	A351 CF8M	A351 CF3	A351 CF3M
阀瓣Bonnet	A216 WCB	A352 LCB	A352 LCC	A351 CF8	A351 CF8M	A351 CF3	A351 CF3M
波纹管Bellow	F304, F316L, Inconel 625, Hastelloy C276, Monel, SS321						
阀杆Stem	A182 F6z	A182 F6a	A182 F304	A182 F304	A182 F316	A182 F304L	A182 F316L
螺栓Bolt	A193 B7	A320 L7	A320 L7	A183 B8	A183 B8M	A183 B8	A183 B8M
螺母Nut	A194 2H	A194 4	A194 4	A194 8	A194 8M	A194 8	A194 8M
填料压套Gland	A276 410	A276 410	A276 304	A276 304	A276 316	A276 304L	A276 316L
填料压板 Gland flange	A216 WCB	A352 LCB	A352 LCC	A351 CF8	A351 CF8	A351 CF8	A351 CF8
填料Packing	石墨Graphite, PTFE			石墨Graphite, PTFE			
垫片Gasket	柔性石墨+不锈钢Flexible Graphite+stainless steel			柔性石墨+不锈钢Flexible Graphite+stainless steel			

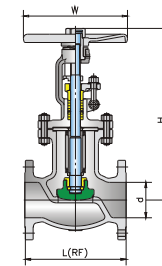
材料可以由客户选择, 或按客户要求Customers can choose the specific materials as per the above table or as customer's request.



CLASS 150

NPS	in	2	2 1/2	3	4	5	6	8	10	12	14	16
DN	mm	50	65	80	100	125	150	200	250	300	350	400
L(RF)	mm	203	216	241	292	356	406	495	622	698	787	994
L(BW)	mm	203	216	241	292	356	406	495	622	698	787	994
H(OPEN)	mm	470	560	560	660	700	750	900	1300	1600	1800	1950
W	mm	220	250	280	320	350	400	450	560	460	460	460
WT	kg	24	32	48	74	89	121	177	331	583	736	1000

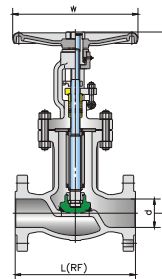
1. ≥ 12" 齿轮传动 Equipped with gear operator



CLASS 300

NPS	in	2	2 1/2	3	4	5	6	8	10	12	14	16
DN	mm	50	65	80	100	125	150	200	250	300	350	400
L(RF)	mm	267	292	318	356	400	444	559	622	711	838	864
L(BW)	mm	267	292	318	356	400	444	559	622	711	838	864
H(OPEN)	mm	510	560	560	660	700	850	1080	1300	1600	1900	1950
W	mm	250	280	300	350	400	450	560	560	460	610	610
WT	kg	31	43	57	86	130	168	288	424	798	902	1060

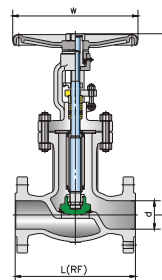
1. ≥ 12" 齿轮传动 Equipped with gear operator



CLASS 600

NPS	in	2	2 1/2	3	4	5	6	8	10	12
DN	mm	50	65	80	100	125	150	200	250	300
L(RF)	mm	292	330	356	432	559	559	660	787	838
L(BW)	mm	292	330	356	432	559	559	660	787	838
H(OPEN)	mm	510	650	650	720	710	960	1200	1450	1700
W	mm	250	300	350	450	720	720	460	610	760
WT	kg	39	58	73	120	327	327	530	840	1150

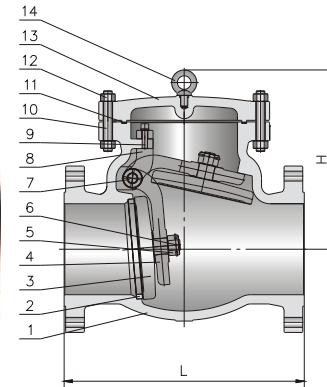
1. ≥ 12" 齿轮传动 Equipped with gear operator



CLASS 900

NPS	in	2	2 1/2	3	4	5	6	8	10	12
DN	mm	50	65	80	100	125	150	-	-	-
L(RF)	mm	368	419	381	457	559	610	-	-	-
L(BW)	mm	368	419	381	457	559	610	-	-	-
H(OPEN)	mm	600	700	760	885	1065	1200	-	-	-
W	mm	350	350	400	450	550	650	-	-	-
WT	kg	55	68	95	160	270	410	-	-	-

1. ≥ 12" 齿轮传动 Equipped with gear operator



序号No.	零件名称Part name
1	阀体Body
2	阀座Seat
3	阀瓣Disc
4	摇杆Hinge
5	阀瓣螺母Disc nut
6	开口销Lock pin
7	销轴Pin
8	挂架Yoke
9	螺钉Screw
10	螺栓Bolt
11	垫片Gasket
12	螺母Nut
13	阀盖Bonnet
14	吊环Hook screw

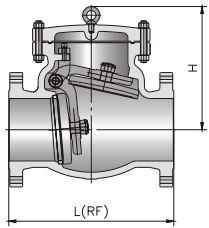
止回阀应用标准Applicable standards

设计制造 Design & manufacture	旋启式Swing type	API 6D, BS 1868, ASME B16.34
	升降式Lift type	BS 1873, ASME B16.34
	双瓣式Dual plates type	API 6D, API 594, ASME B16.34
压力温度基准 P/T class		ASME B16.34
结构长度 Face to face	旋启式Swing type	ASME B16.10 API 6D DIN3202
	升降式Lift type	ASME B16.10 DIN 3202
	双瓣式Dual plates type	API 6D, API 594
法兰连接端 Flanged ends		ASME B16.5(≥NPS24")DIN2501 ASME B16.47(≥24")
对接焊端 Butt welded ends		ASME B16.25
检查和试验 Inspection & test		API 598, ISO 5208, BS6755, API 6D

止回阀主要部件材料Material of main parts

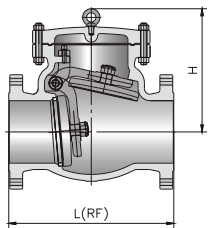
零件名称 Part name	碳钢系列 Carbon steel			合金钢 Alloy steel			不锈钢 Stainless steel				
阀体Body	A216 WCB	A352 LCB	A352 LCC	A217 WC6	A217 WC9	A217 C12	A351 CF8	A351 CF8M	A351 CF3	A351 CF3M	A351 CD4MCu
阀盖Bonnet	A216 WCB	A352 LCB	A352 LCC	A217 WC6	A217 WC9	A217 C12	A351 CF8	A351 CF8M	A351 CF3	A351 CF3M	A351 CD4MCu
阀瓣Disc	A216 WCB	A352 LCB	A352 LCC	A217 WC6	A217 WC9	A217 C12	A351 CF8	A351 CF8M	A351 CF3	A351 CF3M	A351 CD4MCu
阀座Seat	A105	A350 LF2	A182 F304	A182 F11	A182 F22	A182 F9	A182 F304	A182 F316	A182 F304L	A182 F316L	A182 F51
阀杆Stem	A182 F6a	A182 F6a	A182 F304	A182 F304	A182 F304	A182 F304	A182 F304	A182 F316	A182 F304L	A182 F316L	17-4Ph
螺栓Bolt	A193 B7	A320 L7	A320 L7	A193 B16	A193 B16	A193 B16	A183 B8	A183 B8M	A183 B8	A183 B8M	A193 B8M
螺母Nut	A194 2H	A194 4	A194 4	A194 4	A194 4	A194 4	A194 8	A194 8M	A194 8	A194 8M	A194 8M
垫片Gasket	四氟垫, 复合垫, 缠绕垫, 金属垫 Pure PTFE, Compound gasket, Spiralwound gasket, metallic gasket			复合垫, 缠绕垫, 金属垫 Compound gasket, Spiralwound gasket, metallic gasket			四氟垫, 复合垫, 缠绕垫, 金属垫 Pure PTFE, Compound gasket, Spiralwound gasket, metallic gasket				

材料可以由客户选择, 或按客户要求Customers can choose the specific materials as per the above table or as customer's request.



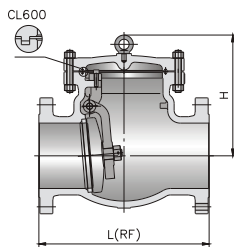
CLASS 150

NPS	in	2	2 1/2	3	4	5	6	8	10	12	14	16	18	20	24	30	36
DN	mm	50	65	80	100	125	150	200	250	300	350	400	450	500	600	750	900
L(RF)	mm	203	216	241	292	330	356	495	622	698	787	864	978	978	1295	1524	1955
L(BW)	mm	203	216	241	292	330	356	495	622	698	787	864	978	978	1295	1524	1955
L(RTJ)	mm	216	229	254	305	343	368	508	635	711	800	876	991	991	1308	1537	1968
H	mm	150	168	180	204	230	275	340	355	410	480	556	620	680	740	980	1935
WT	kg	17	21	30	42	72	74	110	182	285	375	570	665	810	1450	1890	2250



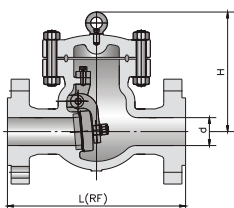
CLASS 300

NPS	in	2	2 1/2	3	4	5	6	8	10	12	14	16	18	20	24	30
DN	mm	50	65	80	100	125	150	200	250	300	350	400	450	500	600	750
L(RF)	mm	267	292	318	356	400	444	533	622	711	838	864	978	1016	1346	1594
L(BW)	mm	267	292	318	356	400	444	533	622	711	838	864	978	1016	1346	1594
L(RTJ)	mm	283	308	333	371	416	460	549	638	727	854	879	994	1036	1368	1619
H	mm	180	185	210	270	345	360	370	385	440	520	554	590	614	725	866
WT	kg	21	32	43	61	84	131	220	385	455	680	840	1025	1320	2040	2830



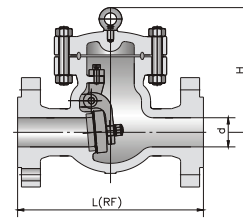
CLASS 600

NPS	in	2	2 1/2	3	4	6	8	10	12	14	16	18	20	24
DN	mm	50	65	80	100	150	200	250	300	350	400	450	500	600
L(RF)	mm	292	330	356	432	559	660	787	838	889	991	1092	1194	1397
L(BW)	mm	292	330	356	432	559	660	787	838	889	991	1092	1194	1397
L(RTJ)	mm	295	333	359	435	562	664	791	841	892	994	1095	1200	1407
H	mm	197	207	231	281	362	437	490	528	572	660	720	746	960
WT	kg	36	49	68	111	230	416	673	875	944	1220	1620	2120	3100



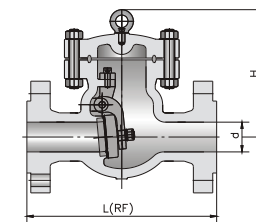
CLASS 900

NPS	in	2	2 1/2	3	4	6	8	10	12	14	16
DN	mm	50	65	80	100	150	200	250	300	350	400
L(RF)	mm	368	419	381	457	610	737	838	965	1029	1130
L(BW)	mm	368	419	381	457	610	737	838	965	1029	1130
L(RTJ)	mm	371	422	384	460	508	740	841	968	1038	1140
H	kg	240	260	280	320	382	530	560	590	630	700
WT	kg	69	93	91	145	259	565	900	1200	1500	2130



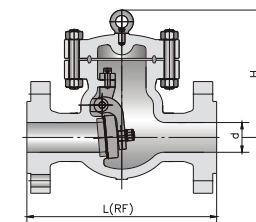
CLASS 900

NPS	in	2	2 1/2	3	4	6	8	10	12
DN	mm	50	65	80	100	150	200	250	300
L(RF)	mm	368	419	470	546	705	832	991	1130
L(BW)	mm	368	419	470	546	705	832	991	1130
L(RTJ)	mm	371	422	473	549	711	841	1000	1146
H	kg	310	330	350	375	400	530	560	650
WT	kg	69	93	140	232	490	990	1490	1970



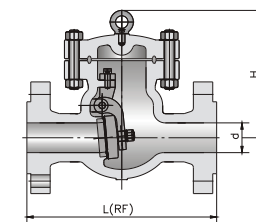
CLASS 900

NPS	in	2	2 1/2	3	4	6	8	10	12	14	16
DN	mm	50	65	80	100	150	200	250	300	350	400
L(RF)	mm	368	419	381	457	610	737	838	965	1029	1130
L(BW)	mm	371	422	381	460	613	740	841	968	1038	1140
L(RTJ)	mm	216	254	305	356	508	660	787	914	991	1092
H	kg	240	260	280	320	382	530	560	590	630	700
WT	kg	55	66	80	100	200	460	700	1020	1220	1350



CLASS 1500

NPS	in	2	2 1/2	3	4	6	8	10	12	14	16
DN	mm	50	65	80	100	150	200	250	300	350	400
L(RF)	mm	368	419	470	546	705	832	991	1130	1257	1384
L(BW)	mm	371	422	473	549	711	841	1000	1146	1276	1406
L(RTJ)	mm	216	254	305	406	559	711	867	991	1067	1194
H	kg	310	330	350	375	400	530	560	650	770	850
WT	kg	55	66	100	130	290	600	900	1200	1500	1700



CLASS 2500

NPS	in	2	2 1/2	3	4	6	8	10	12	14	16
DN	mm	50	65	80	100	150	200	250	300	350	400
L(RF)	mm	451	508	578	673	914	1022	1270	1422	-	-
L(BW)	mm	454	514	584	683	927	1038	1292	1445	-	-
L(RTJ)	mm	279	330	368	457	610	762	914	1041	1118	1245
H	kg	310	330	350	375	473	599	650	705	790	870
WT	kg	65	85	120	170	460	900	1300	1800	2450	3200